

# H1 Series Premium Video PTZ Cameras

## Specification Sheet

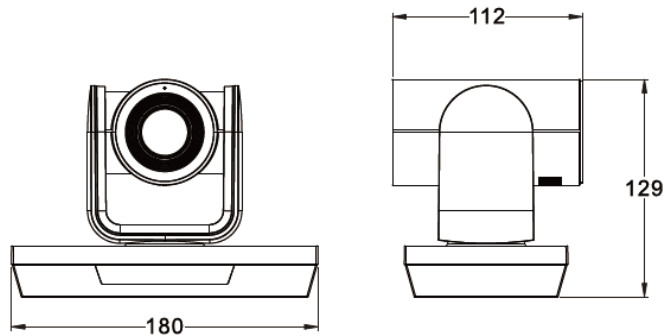
Model No.: H1-L1M/H1-L3M/H1-HAM Series

0x,3x,10x Optical zoom | 1080p@30fps | UVC1.5  
(Single USB Cable)

Compatible with MAC, Windows & Android OS, Plug & Play

Provide The Ultimate Experience To Optimize Video Collaboration

[Discover More](#)



Premium USB PTZ Camera equipped with 0x, 3x, or 10x Optical zoom block optional, uses a Single USB Cable for Power supply, HD Video and PTZ movement Control transmission. 2.1Megapixel Effective CMOS Sensor achieved 1080p@30 high quality images. USB 2.0 ideally suited for Small or Medium size conference rooms, it connects to laptop for whom on business trip and compatible with any Web Conferencing system in Windows and MAC OS.

**Features:**

- ⊗ PRO PTZ Camera design
- ⊗ OSD Menu/Lens Menu
- ⊗ Speed Match
- ⊗ UVC Protocol 1.5
- ⊗ IR remote controller unit
- ⊗ USB 2.0 Connection

**Performance:**

- ⊗ 1920x1080pixels progressive @30fps
- ⊗ 0x,3x or 10x optical zoom lens
- ⊗ HOV 72.5/84/54 degree
- ⊗ 1/2.7"HD color CMOS Sensor
- ⊗ Pan ± 165 degree Pan movement
- ⊗ Tilt +30 degree, - 30 degree
- ⊗ 64 preset positions
- ⊗ 4 cruise lines
- ⊗ No need Power adaptor

**Dimension:**

- ⊗ L 180mm x W 112mm x H129mm

**Installation:**

- ⊗ Desktop
- ⊗ Standard Tripod
- ⊗ 5 meters USB Cable

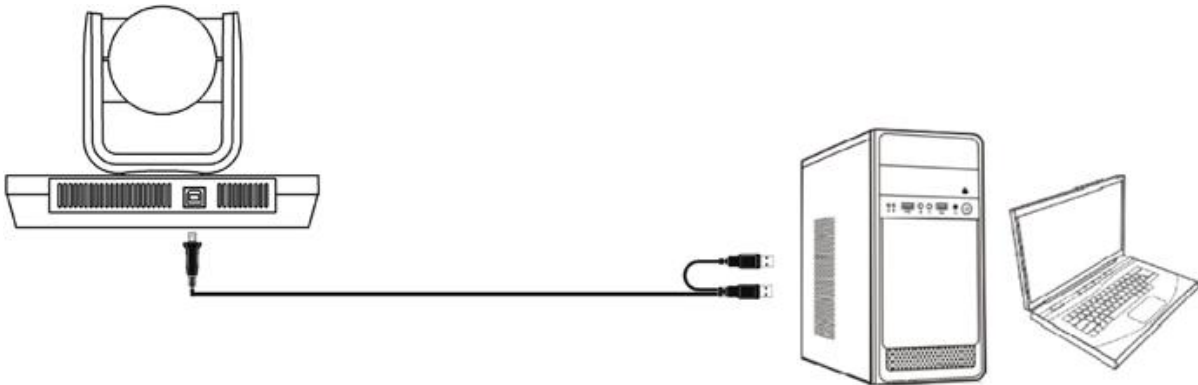
**Remote control unit**



- 1) Reset
- 2) Power ON/OFF
- 3) IR Select
- 4) PAN, TILT, Home position
- 5) AUTO, MANUAL, FAR, NEAR
- 6) Zoom in/out
- 7) DOME OSD, LENS OSD
- 8) REV
- 9) SET/CLEAR/CALL Presets
- 10) 1-9 Presets

**Single USB Cable connect to PC**

USB 2.0 Power supply via USB cable, auxiliary power cable (5 Meters cable)



**Accessories List:**

- 1) 5 meters USB 2.0 Cable
- 2) L- Type bracket
- 3) HD PTZ Camera
- 4) Installation kits package
- 5) User’s manual book
- 6) IR remote control



**Specification sheet**

Model number:		H1-L1M	H1-L3M	H1-HAM
		0X	3X	10X
Image SenSo r	Sensor	1/2.7"HD color SONY CMOS		1/2.9" SONY CMOS
	Effective pixel	2.1 Megapixel	2.1 Megapixel	2.1 Megapixel
	Minimum Scene illumination	0.5Lux at F2.0	Color: 0.1Lux B/W: 0.01Lux	0.1Lux at F1.6
	White Balance	AUTO	AUTO	MANUAL/AUTO/ATW/IND OOR/OUTDOOR
	Gain Control	AUTO	AUTO	AUTO
	Back-light compensation	N/A	N/A	Supported

	S/N Ratio	>50db	>50db	>50db
	IRIS	fixed IRIS (F1.6-F2.5)	Fixed Iris	F1.6-F2.5
Lens	Focus	f=4mm	f=3mm-10mm	f=4.7-47mm
	Zoom	Fixed lens	3x Optical Zoom	10x Optical Zoom
	Hov	72.5 degree	73 degree	54 degree
Video Output		USB 2.0 Type B	USB 2.0 Type B	USB 2.0 Type B
Video format		MJPEG: 1080P25,720P30/25, 640x480, 640x360		MJPEG: 1080P25,720P30/25, 640x480, 640x360
Control Interface		USB	USB	USB
PTZ Control Protocol		VISCA,PELCO-D	VISCA,PELCO-D	VISCA,PELCO-D,UVC
Baud Rate		9600/38400bps	9600/38400bps	9600/38400bps
Patrol tours		4	4	4
Preset		64	64	64
OSD Menu		N/A	N/A	LENS OSD/DOME OSD
Speed Matching Function		Support	Support	Support
Image Auto Flip		Support	Support	Support flip/mirror
Pan Speed		0-40 degrees/s	0-40 degrees/s	0-40 degrees/s
Tilt Speed		0-40 degrees/s	0-40 degrees/s	0-40 degrees/s
Pan Rotation Angle		0-330 degree	0-330 degree	0-330 degree
Tilt Rotation Angle		+ 30, - 30 degree	+ 30, - 30 degree	+ 30, - 30 degree
Auto Pan Scan		Support	Support	Support
Remoter Control		IR Wireless remote control P/T/Z	IR Wireless remote control P/T/Z	IR Wireless remote control P/T/Z
Power		USB 2.0 Power supply	USB 2.0 Power supply	USB 2.0 Power supply
Operation Temperature		0°C ~ 50°C		
Environmental humidity		0-95%RH(non-condensaion)		
Length X width X high		L 180mm x W 112mm x H129mm		
Weight		520g	550g	580g