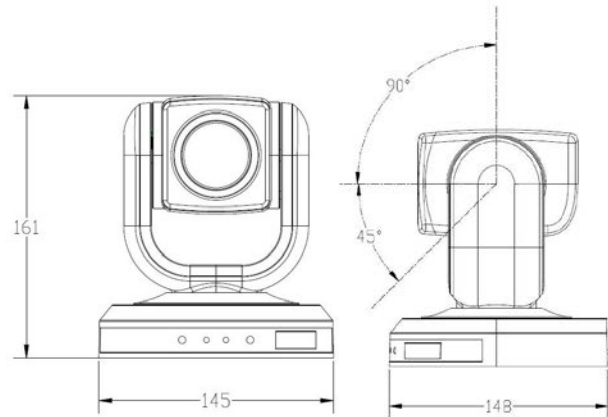


# HD9 Series HD Video Conference Camera

## Specification Sheet

**Model No.:** HD910-K7/HD912-K8/HD920-K5/HD930-SN7500

10x, 12x, 20x, 30x Optical Zoom | 1080p@60fps DVI/HD-SDI



High Performance HD Video camera achieved 1080p@60 high quality images over DVI/HD-SDI interface, which equipped with 60.9 / 72.1 / 58.7 / 63.7 degree Wide view Angle 10x, 12x, 20x, 30x optical zoom lens, ideally suitable for use in the corporate boardroom, video studio, auditorium, house of worship, government buildings, and for remote and e-learning applications.

### Features:

- cutting-edge High Definition PTZ camera
- Fast and smooth video handling
- Power ON-OFF switch
- Work & Standby LED indicator
- Speed Match
- Auto/Manual focus/brightness/WB
- RS-232C/VISCA Protocol
- Lens/Dome OSD
- Boundary scanning
- Standby & wakeup status
- DVI/HD-SDI Video output
- HDMI Signal output

### Performance:

- 1/2.8" Progressive CMOS, 1/2.8" Type Exmor CMOS
- 2.1 / 2.41 Megapixel
- 10x, 12x, 20x, 30x optical zoom
- HOV 60.9°/72.1°/58.7°/63.7°
- Pan : 0-355°
- Tilt: Up: 90°, Down: 45°
- 64 preset positions
- 4 cruise lines
- DC 12V, 2A

### Dimension:

- L 145mm x W 148mm x H161mm

### Installation:

- Desktop
- Ceiling mount
- Standard Tripod accessory

### Remote controller



## Connector



**DVI, HD-SDI | IR Select | VISCA | DC 12V**

## Accessories List:

- 1) Charger \* 1
- 2) Remote controller \* 1
- 3) RS-232 cable \* 1
- 4) RS-485 cable \* 1
- 5) DVI-HDMI cable \* 1
- 6) Bracket \* 1
- 7) Screws set \*1
- 8) User's manual \* 1
- 9) Certificate \* 1
- 10) Warranty \* 1

## Specification sheet

Model No.		HD910-K7	HD912-K8	HD920-K5	HD930-SN7500
Image Sensor	Image Sensor	1/2.8" Progressive CMOS	1/2.8" Progressive CMOS	1/2.8" Progressive CMOS	1/2.8" Type Exmor CMOS
	Effective Pix	2.1 Megapixel	3.2 Megapixel	2.0 Megapixel	2.14 Megapixel
	Min. Illumination	Color: 0.1 Lux B/L: 0.01 Lux	Color: 0.1 Lux B/L: 0.01 Lux	0.5 Lux at F1.6	0.05Lux
	White balance	Auto/Manual/Indoor/Outdoor	Auto/Manual/Indoor/Outdoor	Auto/Manual	Auto/Manual
	Gain control	Auto	Auto	Auto/Manual	Auto/Manual
	Backlight compensation	On/Off	On/Off	On/Off	On/Off
	Shutter speed	1/1~1/10,000S, 22 steps	1/1~1/10,000S, 22 steps	1/1 - 1/10,000S	1/1 - 1/10,000S
	S/N ratio	>50 db	>50 db	>50 db	>50db
Lens	Focus	f=4.7-47mm F1.6-F3.5	f=4.5-54 mm F1.6-F3.5	f=4.7-94 mm	f=4.3-129mm F1.6-4.7
	Iris	Auto/Manual	Auto/Manual	Auto/Manual	Auto/Manual
	Lens	10 x Optical zoom x 12 digital zoom	12 x Optical zoom	20x Optical zoom	30x Optical x 12 digital zoom
	Horizontal view angle	5.86°(T)~60.2°(W)	3.2°(T)~72°(W)	3.2° (T) ~ 58.7° (W)	63.7-2.3 degree
Video output		DVI, HD-SDI	DVI, HD-SDI	HD-SDI, DVI	DVI, HD-SDI

<b>Signal system</b>	1080P@60/50fps,720P@30/25fps	1080P@60/50fps,720P@30/25fps	1080P@60fps,1080p@30fps,720p@60fps,720p@30fps	1080p@60fps,1080p@50fps,1080P@30,1080P@25,1080i@60,1080i@50,720P@60,720P@50
<b>Control terminal</b>	EIA/RS232C,EIA/RS485(Bidirectional)	EIA/RS232C,EIA/RS485(Bidirectional)	EIA/RS232C,EIA/RS485(Bidirectional)	EIA/RS232C,EIA/RS485(Bidirectional)
<b>Control Protocol</b>	VISCA,PELCO-D	VISCA,PELCO-D	VISCA, PELCO-D	VISCA,PELCO-D
<b>baud rate</b>	9600/38400bps	9600/38400 bps	9600/ 38400 bps	9600/38400bps
<b>patrol line</b>	4 cruise sequence	4 cruise sequence	4 cruise sequence	4 cruise sequence
<b>preset position</b>	64 preset positions	64 preset positions	64 preset positions	64 preset positions
<b>Speed Match</b>	Pan/Tilt movement speed depends on camera module zoom in/out	Pan/Tilt movement speed depends on camera module zoom in/out	Pan/Tilt movement speed depends on camera module zoom in/out	Pan/Tilt movement speed depends on camera module zoom in/out
<b>OSD Menu</b>	Access to OSD Menu and adjust camera module parameters	Access to OSD Menu and adjust camera module parameters	Access to OSD Menu and adjust camera module parameters	Access to OSD Menu and adjust camera module parameters
<b>Image auto flip</b>	Support Horizontal/Vertical image flip	Support Horizontal/Vertical image flip	Support Horizontal/Vertical image flip	Support Horizontal/Vertical image flip
<b>Pan movement speed</b>	1-60°/Second	1-60°/Second	1-200°/Second	1-200°/Second
<b>Tilt movement speed</b>	1-60°/Second	1-60°/Second	1-150°/Second	1-150°/Second
<b>Pan movement range</b>	Pan: 0-355°	Pan: 0-355°	Pan: 0-355°	Pan: 0-355°
<b>Tilt movement range</b>	Up: 45°, Down: 45°	Up: 90°, Down: 45°	Up: 90°, Down: 45°	Up: 90°, Down: 45°
<b>Pan scanning automatically</b>	Support Pan scanning automatically	Support Pan scanning automatically	Support Pan scanning automatically	Support Pan scanning automatically
<b>Boundary scanning</b>	0-355° scanning (programmable)	0-355° scanning (programmable)	0-355°(programmable)	0-355°(programmable)
<b>Remote controller</b>	IR Wireless Remote controller P/T/Z	IR Wireless Remote controller P/T/Z	IR Wireless Remote controller P/T/Z	IR Wireless Remote controller P/T/Z
<b>Power supply</b>	DC12V,2A	DC 12V,2A	DC12V,2A	DC12V,2A
<b>Work Temperature</b>	0-50℃	0-50℃	0-50℃	0-50℃
<b>Humidity</b>	0-95%RH	0-95% RH	0-95%RH	0-95%RH
<b>LxWxH</b>	145mm x 148mm x 160mm	145mm x 148mm x 160mm	250mm x 140mm x 154mm	250mm x 140mm x 154mm
<b>Weight</b>	915g	1100 g	1380g	9150g